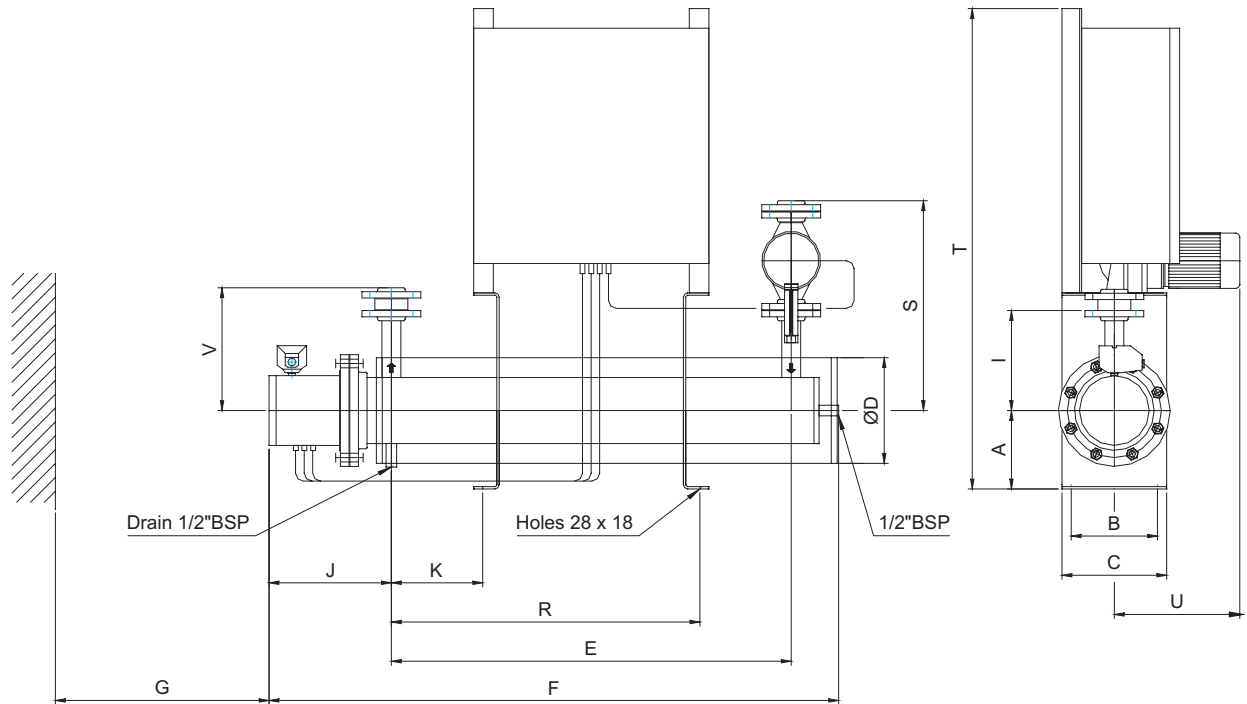


VESTA™ EH-U ELECTRICAL HEATER



VESTA™ EH-U is a flow-through electrical heater unit, ideal for heating of engine jacket cooling water. The preheater's heat load capacities range from 19 to 108 kW, with standard design values of 10 bar (g) and 95°C. The VESTA™ EH-U is mounted horizontally and comes as a

complete unit with pre-mounted pump, control cabinet, safety valve and non-return valve, mounted, ready for installation. The standard design range of the VESTA™ EH-U electrical heater meets the requirements of most major classification societies.



STANDARD PRODUCT RANGE

Dimensions

Length (mm) \ Type	EH-U 19	EH-U 28	EH-U 38	EH-U 44	EH-U 54	EH-U 72	EH-U 108
Element length	1000	1000	1000	1000	1200	1200	1200
A	200	200	200	200	200	200	250
B	220	220	220	220	220	220	220
C	270	270	270	270	270	270	280
ØD	270	270	270	270	270	270	325
E	820	820	820	820	1020	1020	1020
F	1253	1253	1253	1253	1453	1453	1462
G	970	970	970	970	1170	1170	1170
I	255	255	255	255	255	255	280
J	312	312	312	312	312	312	322
K	210	160	160	160	160	160	160
R	620	660	660	660	660	860	860
S	535	535	535	535	535	535	560
T	1130	1230	1230	1230	1230	1630	1730
U	320	320	320	320	320	390	390
V	313	313	313	313	313	313	334

NOTE: Standard design values 10 bar (g) pressure and 95°C